

Delivery address: Mackenrodtstraße 14,  
36039 Fulda, Germany  
Postal address: 36035 Fulda, Germany  
Phone: +49 (0) 661 60 03-0  
Fax: +49 (0) 661 60 03-5 00  
E-Mail: mail@jumo.net  
Internet: www.jumo.net

JUMO House  
Temple Bank, Riverway  
Harlow, Essex CM20 2TT, UK  
Phone: +44 (0) 12 79 63 55 33  
Fax: +44 (0) 12 79 63 52 62  
E-Mail: info@jumoinstruments.fsnet.co.uk

735 Fox Chase  
Coatesville PA 19320, USA  
Phone: 610-380-8002  
1-800-554-JUMO  
Fax: 610-380-8009  
E-Mail: info@JumoUSA.com  
Internet: www.JumoUSA.com



# Manual quick-change fittings

## Brief description

The quick-change fittings, which can be operated manually, permit sensor mounting and removal under process conditions, which means that the liquid cycle concerned, or the main flow, need not be interrupted.

Quick-change fittings are mainly used for pH measurements in closed cycles, or for measurements in the inflow and outflow of water purification plants. The quick-change fitting can also be installed at the side of the tank, which allows the sensor to be removed without previously emptying the tank.

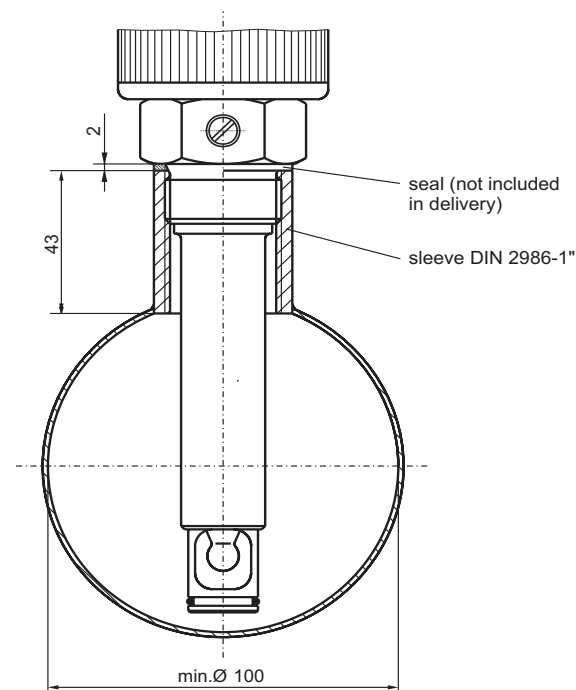
The fitting enables the mounting of one sensor with a Pg13.5 thread and a mounting length of 120 or 225mm.

## Applications

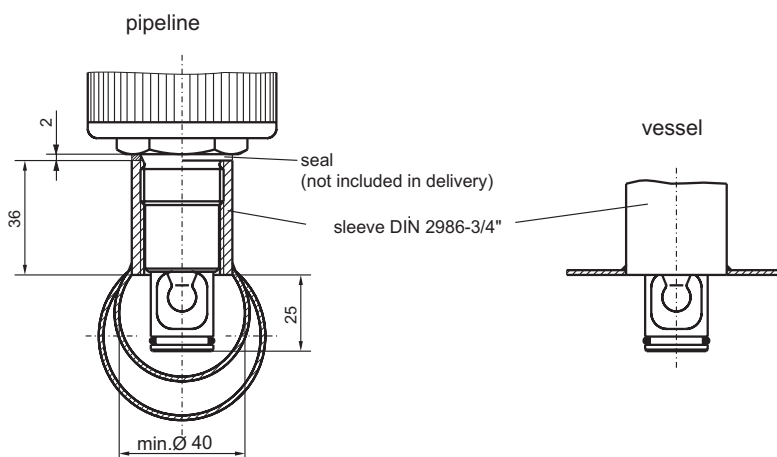
- measurements in closed liquid cycles, e.g. pH measurement in cooling and water purification plants
- measurements in closed containers and tanks
- final pH check in outflow, if a bypass is not possible
- Type 202822/106-135-... fitting with screw-in thread G1A, for installing one sensor with a Pg 13.5 thread and a mounting length of 225 mm
- Type 202822/105-62-... fitting with screw-in thread G3/4A, for installing one sensor with a Pg 13.5 thread and a mounting length of 120 mm
- Type 202822/613-48-26: fitting with clamp connection, for fitting one sensor with a Pg 13.5 thread and a mounting length of 120 mm

## Mounting options

Type 202822/106-135-...

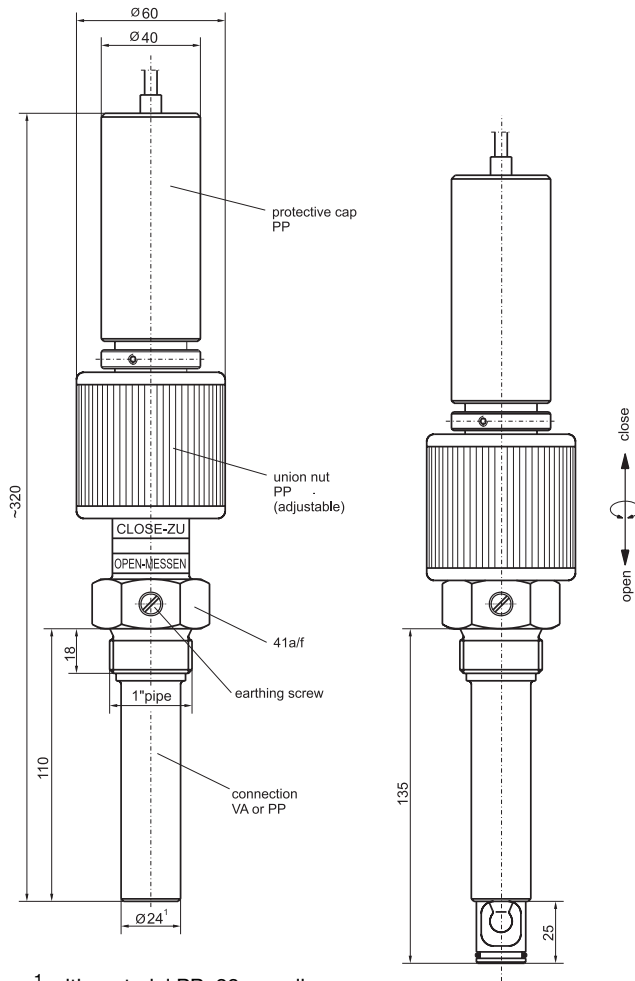


Type 202822/105-62-26



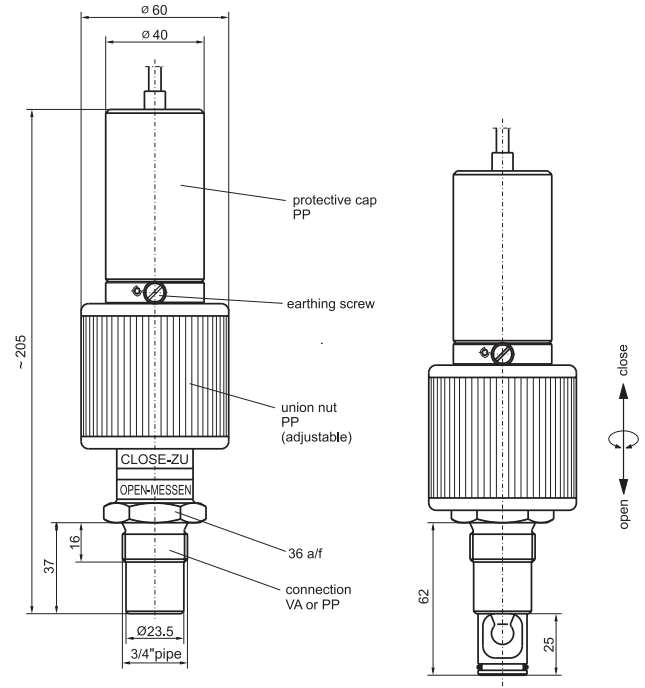
# Dimensions

Type 202822/106-135-26  
 Type 202822/106-135-87

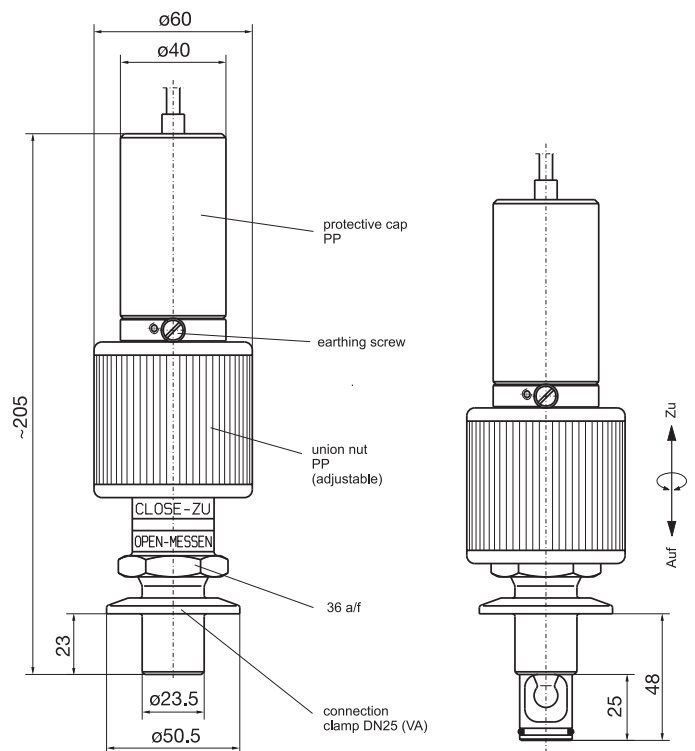


<sup>1</sup> with material PP: 29 mm dia.

Type 202822/105-62-26  
 Type 202822/105-62-87



Type 202822/613-48-26



## Technical data

<b>Parts in contact with medium</b>	stainless steel 1.4571 and FPM or PP and FPM
<b>Permissible temperature</b> <sup>1</sup>	-30 to +135°C stainless steel -10 to + 60°C PP
<b>Safe pressure</b>	up to 10bar for stainless steel up to 6bar for PP
<b>Seal</b>	FPM
<b>Protection</b>	IP65
<b>Mounting position</b>	please observe the mounting instructions for the sensor that is used
<b>Electrode holder</b>	Pg13.5 thread A type 202995 impedance converter or a type 202701 two-wire transmitter can be incorporated.
<b>Weight</b>	Type 202822/105-062-260.8 kg Type 202822/106-135-261.0 kg Type 202822/613-048-261.2 kg

1. Please also note the maximum operating data for the sensor used!  
It is **not** possible to remove the sensor at maximum temperature!

## Order details

	<b>(1) Basic version</b>		
	202822	Manual quick-change fitting	
	<b>(2) Process connection</b>		
	105	screw-in thread G3/4A (3/4" pipe) for electrodes with a mounting length of 120 mm	
	106	screw-in thread G1A (1" pipe) for electrodes with a mounting length of 225 mm	
	613	clamp connection DN25 for electrodes with a mounting length of 120 mm	
	<b>(3) Mounting length</b>		
	x	048 48 mm	
	x	062 62 mm	
	x	135 135 mm	
	<b>(4) Material</b>		
x	x	x	26 parts in contact with medium: stainless steel 1.4571
x	x		87 polypropylene (PP)

x = available

	(1)	(2)	(3)	(4)			
<b>Order code</b>	202822	/	...	-	..	-	..
<b>Order example</b>	202822	/	105	-	062	-	26

The type code is a type designation, not a modular system.  
If at all possible, please choose the items listed under "Stock items" or "Production items".  
Any free combination of individual code features must be technically checked by us and released.  
Please ask us in case of doubt.

## Stock items (delivery: 3 working days after receipt of order)

Sales No.	Type
20/00366915	202822/105-062-26
20/00345780	202822/106-135-26
20/00348649	202822/613-048-26

## Production items (delivery: 10 working days after receipt of order)

Sales No.	Type
20/00375339	202822/106-135-87
20/00381650	202822/105-62-87

## Optional accessories

Sales No.	Description
20/00060254	KCl reservoir, pressure-tight, wall-mounted. To arrange an electrolyte bridge, or when using KCl-filled electrodes.
20/00315751	Pressure head for KCl-filled pH combination electrodes 2GE-2-D-... series, see Data Sheet 20.2900.

Further fittings in our range:	
Fittings type:	Data Sheet
Flow-through fittings	T 20.2810
Immersion fittings	T 20.2820
Quick-change fittings	T 20.2822
Process fittings	T 20.2825